

TECHNCIAL NOTE no.: 40

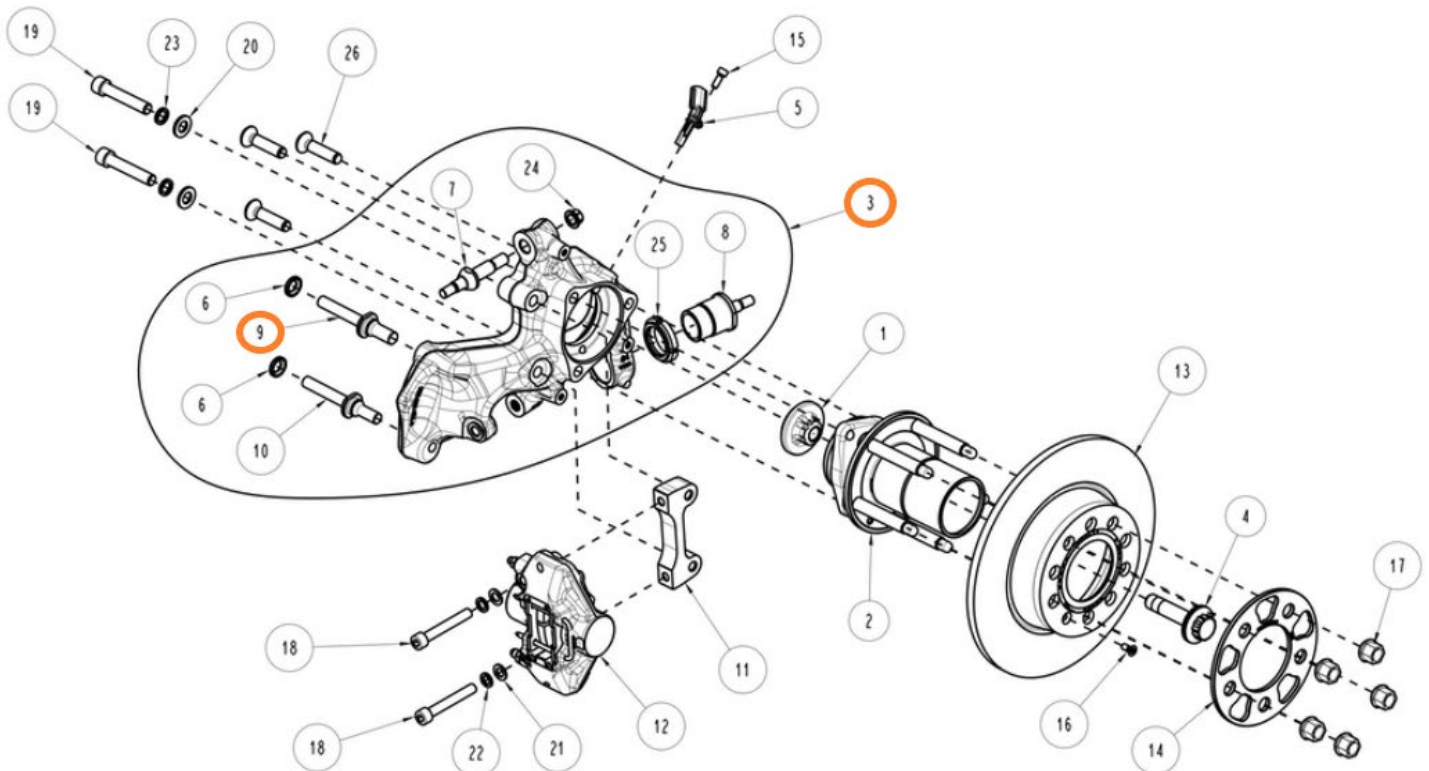
Product:	Rear upright update
Part number:	5FR505431E / 5FR505431E / 5FR505549B
To:	Audi RS3 LMS Gen2 and Cupra Leon Competition
Date:	25/10/2022

Dear Customer:

Strength of the rear shock absorber retaining stud has been improved as well as the rear uprights have been updated to allocate the new stud.

New part numbers:

- 5FR 505 431 **E** REAR UPRIGHT ASSEMBLY (3)
- 5FR 505 432 **E** REAR UPRIGHT ASSEMBLY (3)
- 5FR 505 549 **B** TRAILING ARM UPPER STUD (9)

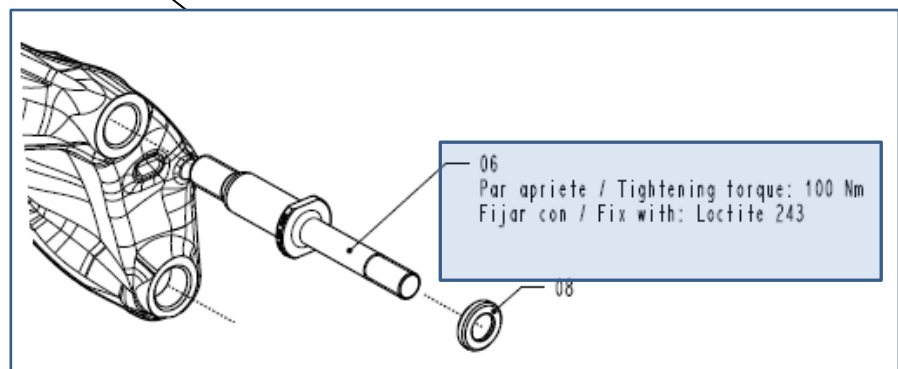


Implementation advisement:

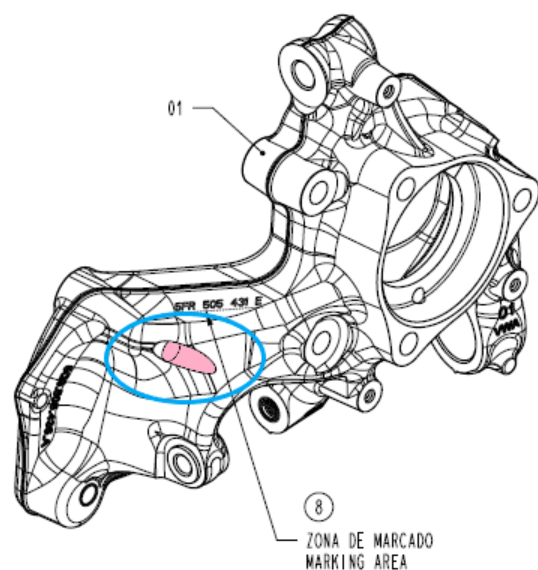
- STUD 5FR 505 **549A** fits with REAR UPRIGHT 5FR 505 **431D / 432D** (old)
- Available in the catalogue **until end of stock**



- STUD 5FR 505 **549B** fits with REAR UPRIGHT 5FR 505 **431E / 432E**
- Available in the catalogue from November 2022
- Mixing studs between upright versions **D** to **E** is NOT possible



- New upright index **E** quick identification by looking at the machining hole in the back (pink mark)



- All new references available. See online Catalogue